



Schematic set

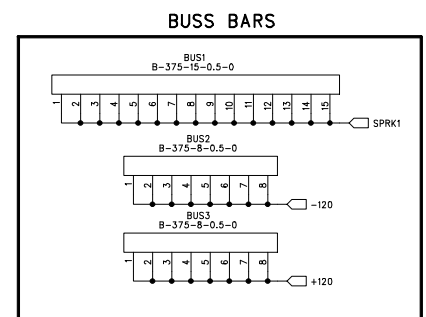
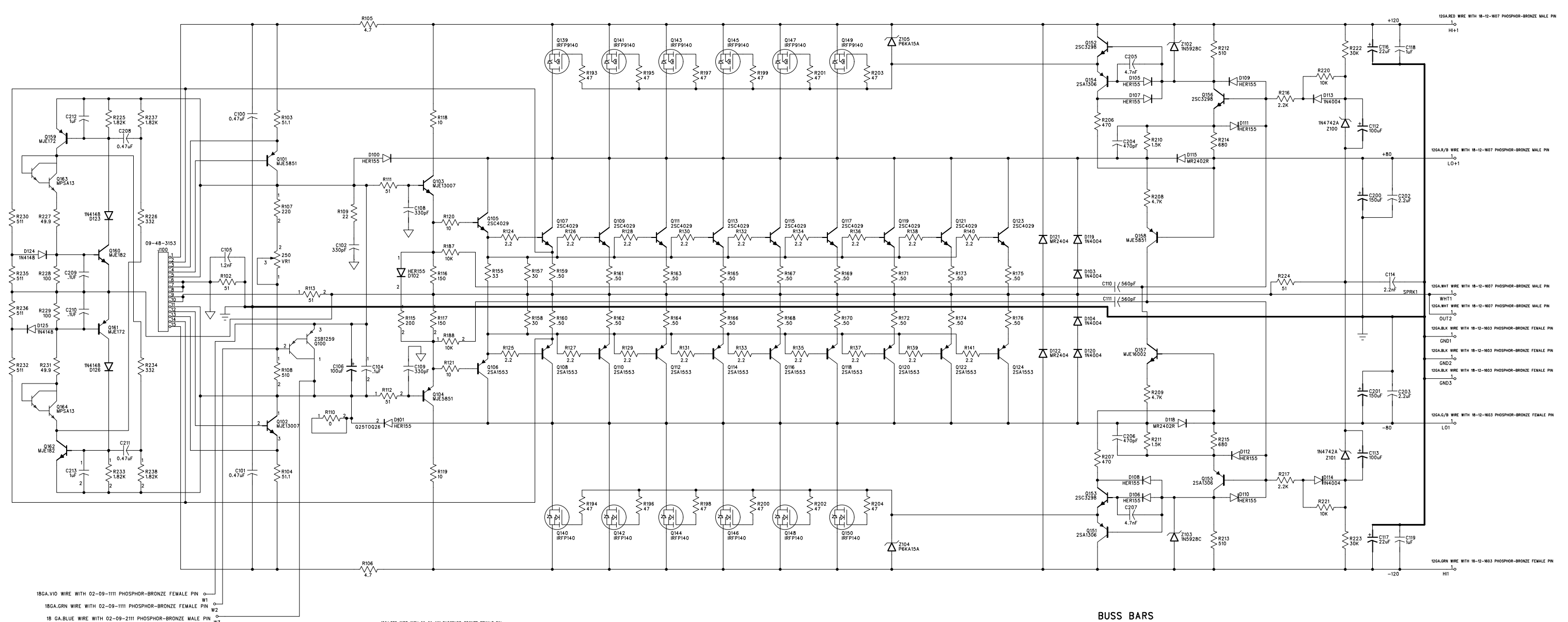
---

## Pro Series 9001 power amplifiers

May 2000 (current production)

1. New Output module (1996 +)
2. New Preamp (1996 +)
3. New Power supply cap board
4. New Power supply auxiliary board
5. Early Power supply
6. Inrush board rev 3
7. Inrush board rev 4
8. Zobel board
9. Harness adaptor

REVISION RECORD			
LTR	ECO NO:	APPROVED:	DATE:



REV. NOTES

1. 9/9/94 ADDED D119, D120
2. 9/9/94 CHANGED D103, D104 TO 1N4004
3. 9/9/94 CHANGED R224 TO 51R/1W M.O.
4. 9/9/94 ADDED D121, D122 DIODES INC. 6A4
5. 9/9/94 CHANGED R159 THRU R172 FROM 5 WATT TO 7 WATT
6. 11/21/94 CORRECTED D121, D122 TO MR2404
7. 11/21/94 CORRECTED POLARITY OF Z104, Z105
8. 12/12/94 ADDED CAPS AND DIODES TO JED CIRCUIT
9. 12/15/94 CHANGED ALL 0.33/7W RESISTORS TO 0.5/7W RESISTORS
10. 12/15/94 CHANGED R214, R215 FROM 1.5K/2W TO 680R/2W
11. 12/15/94 CHANGED R210, R211 FROM 1K/2W TO 1.5K/2W
12. 1/12/95 REVISE JED CKT VALUES
13. 2/2/95 REVISE JED CKT AND ADDED C212, C213 1uF/63V
14. 3/20/95 ADDED D129, D130 1N4148
15. 5/9/00 UPDATED DRAWING TO CURRENT REVISION LEVEL

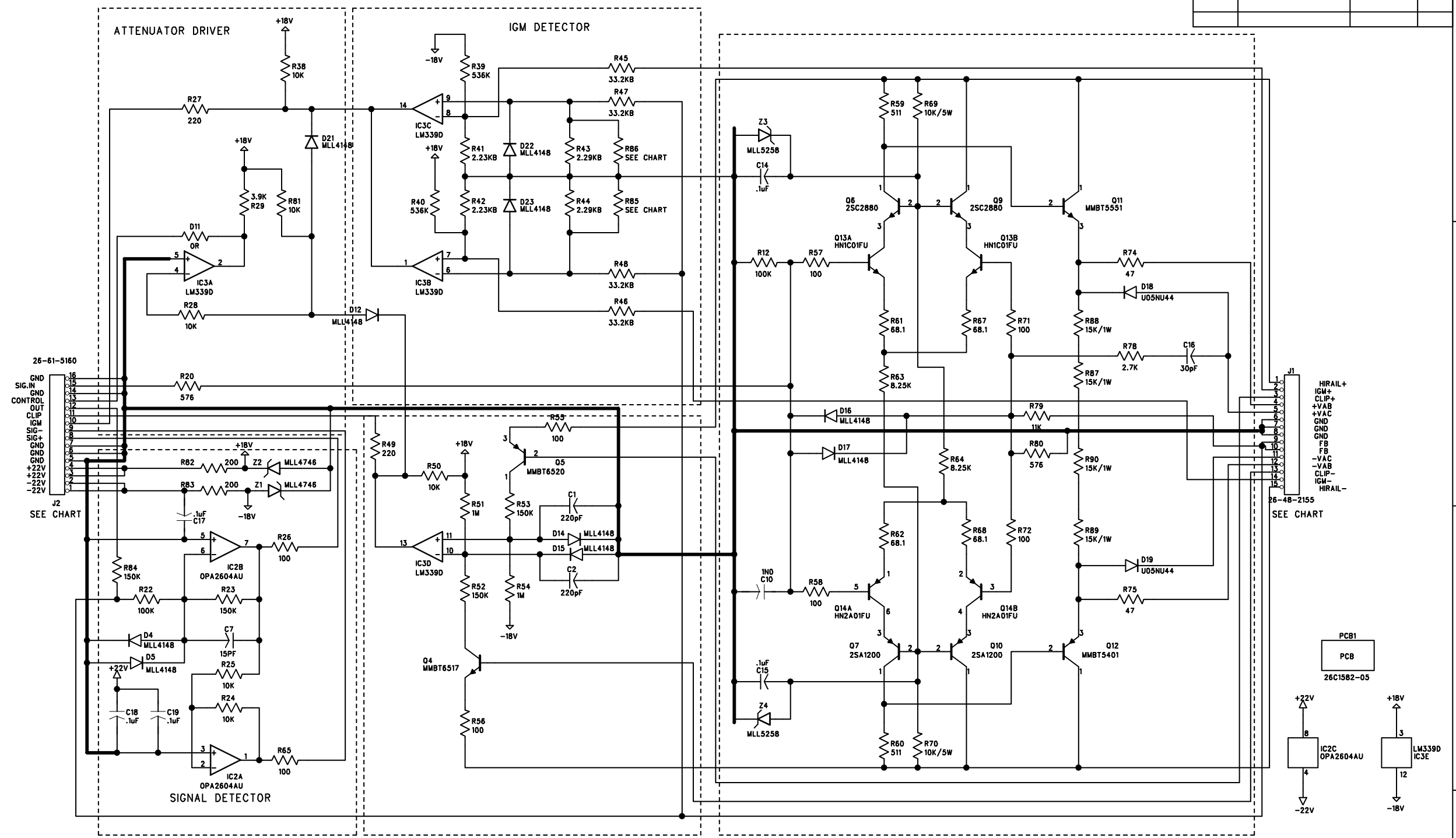


TITLE: 9001 OUTPUT MODULE

DRAWN:	DATED:
CHECKED:	DATED:
QUALITY CONTROL:	DATED:
RELEASED:	DATED:

CODE:	SIZE:	DRAWING NO:	REV:
SCALE:	SHEET: OF		

REVISION RECORD			
LTR	ECO NO:	APPROVED:	DATE:



NOTES

- REF DES OF PARTS CHANGED FOR CLAIR BROTHERS R20 AND R80
- ADDED D11
- REPLACED D11 WITH 0 OHM JUMPER
- 5/9/00 DRAWING BROUGHT UP TO CURRENT LEVEL



TITLE: 9001 PREAMP			
DRAWN: LAP	DATED: 1/96	CODE:	REV: 04
CHECKED:	DATED:	SIZE: C	DRAWING NO:
QUALITY CONTROL:	DATED:	SCALE:	SHEET: 1 OF 1
RELEASED:	DATED:		

6

5

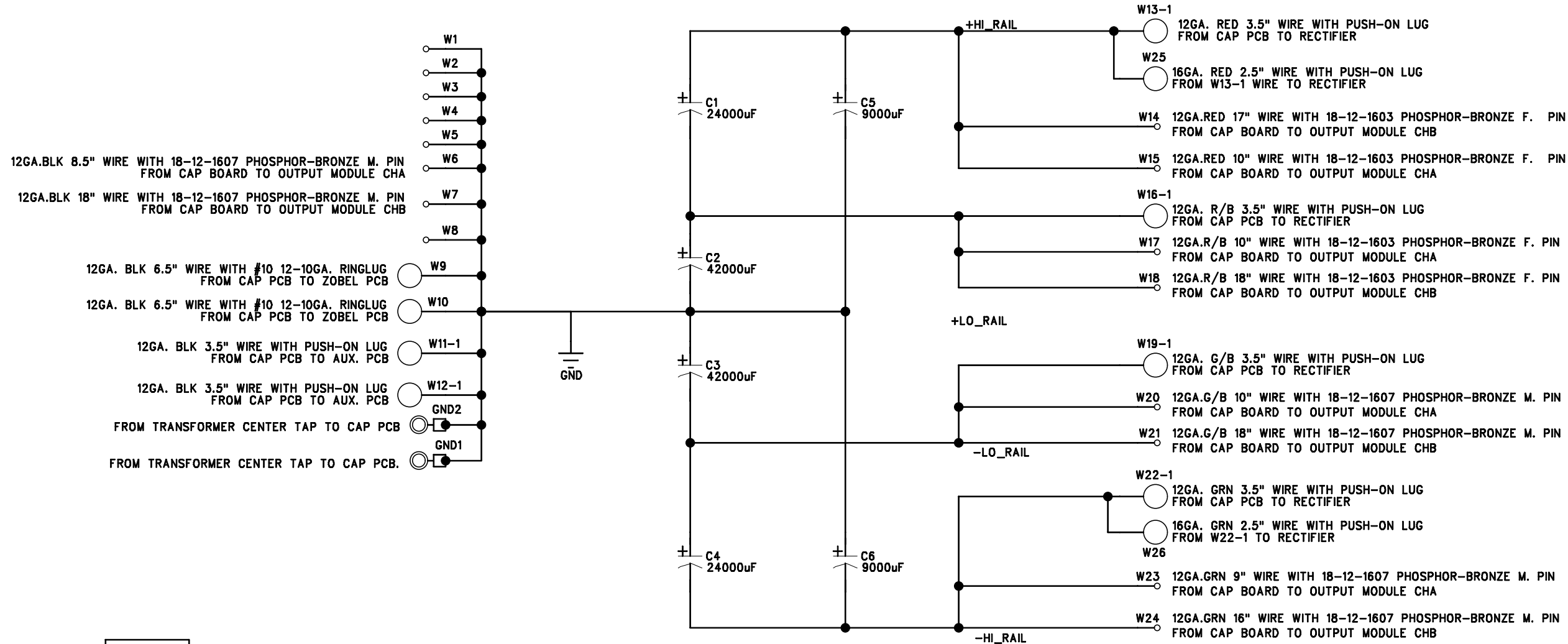
4

3

2

1

REVISION RECORD			
LTR	ECO NO:	APPROVED:	DATE:



12GA.BLK 8.5" WIRE WITH 18-12-1607 PHOSPHOR-BRONZE M. PIN FROM CAP BOARD TO OUTPUT MODULE CHA  
 12GA.BLK 18" WIRE WITH 18-12-1607 PHOSPHOR-BRONZE M. PIN FROM CAP BOARD TO OUTPUT MODULE CHB

12GA. BLK 6.5" WIRE WITH #10 12-10GA. RINGLUG FROM CAP PCB TO ZOBEL PCB  
 12GA. BLK 6.5" WIRE WITH #10 12-10GA. RINGLUG FROM CAP PCB TO ZOBEL PCB

12GA. BLK 3.5" WIRE WITH PUSH-ON LUG FROM CAP PCB TO AUX. PCB  
 12GA. BLK 3.5" WIRE WITH PUSH-ON LUG FROM CAP PCB TO AUX. PCB

FROM TRANSFORMER CENTER TAP TO CAP PCB  
 FROM TRANSFORMER CENTER TAP TO CAP PCB.

PCB1  
PCB

CON1  
CONNECTOR  
03-12-1062

CON2  
CONNECTOR  
03-12-1062

COMPANY: <b>CREST AUDIO</b>			
TITLE: <b>9K1 POWER SUPPLY CAP BOARD</b>			
DRAWN: LAP	DATED: 4/96	CODE:	SIZE:
CHECKED:	DATED:	DRAWING NO:	REV:
QUALITY CONTROL:	DATED:	SHEET: 1 OF 1	
RELEASED:	DATED:	SCALE:	

DRAWN: LAP	DATED: 4/96
CHECKED:	DATED:
QUALITY CONTROL:	DATED:
RELEASED:	DATED:

D

C

B

A

D

C

B

A

6

5

4

3

2

1

D

C

B

A

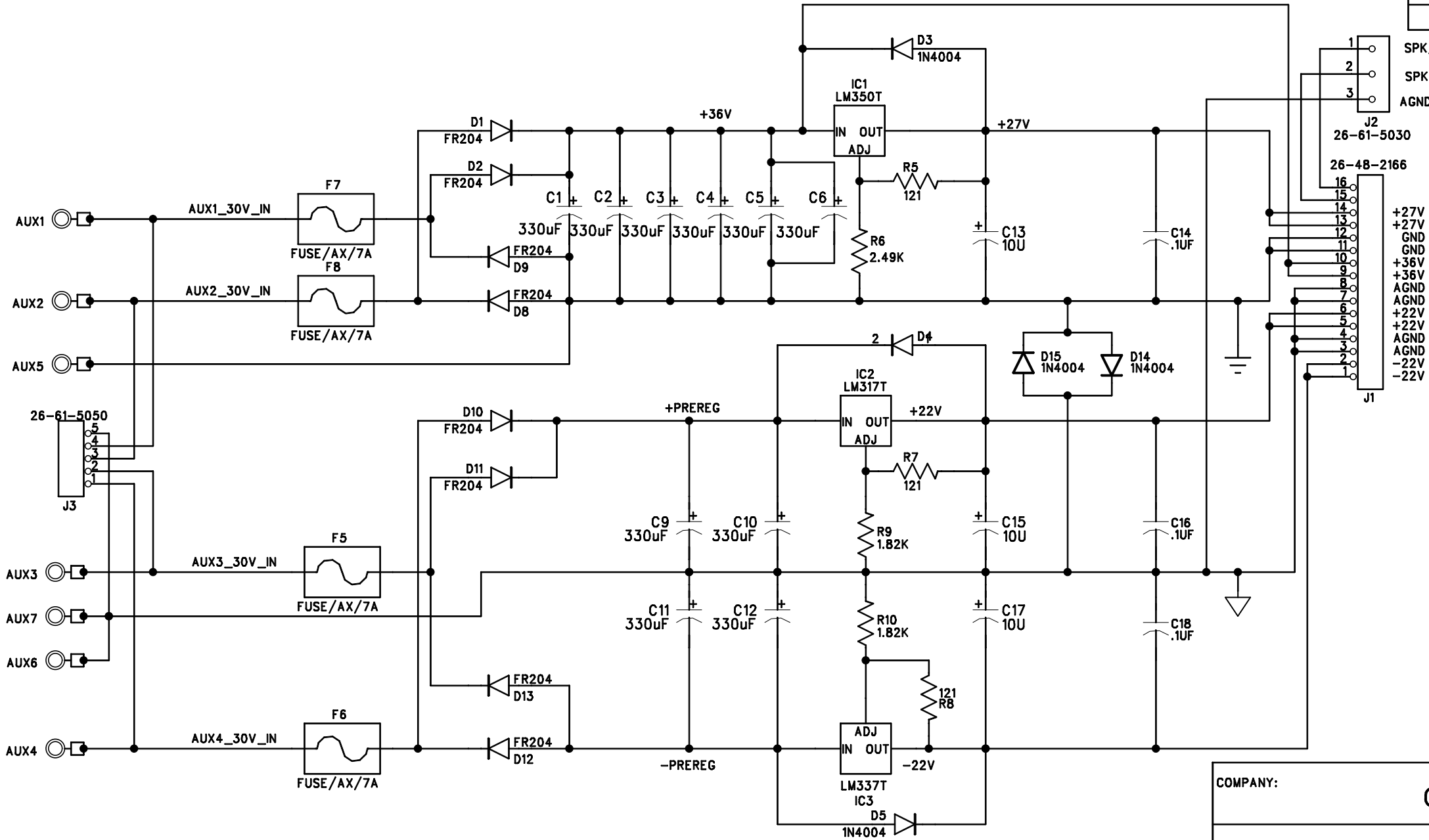
D

C

B

A

REVISION RECORD			
LTR	ECO NO:	APPROVED:	DATE:

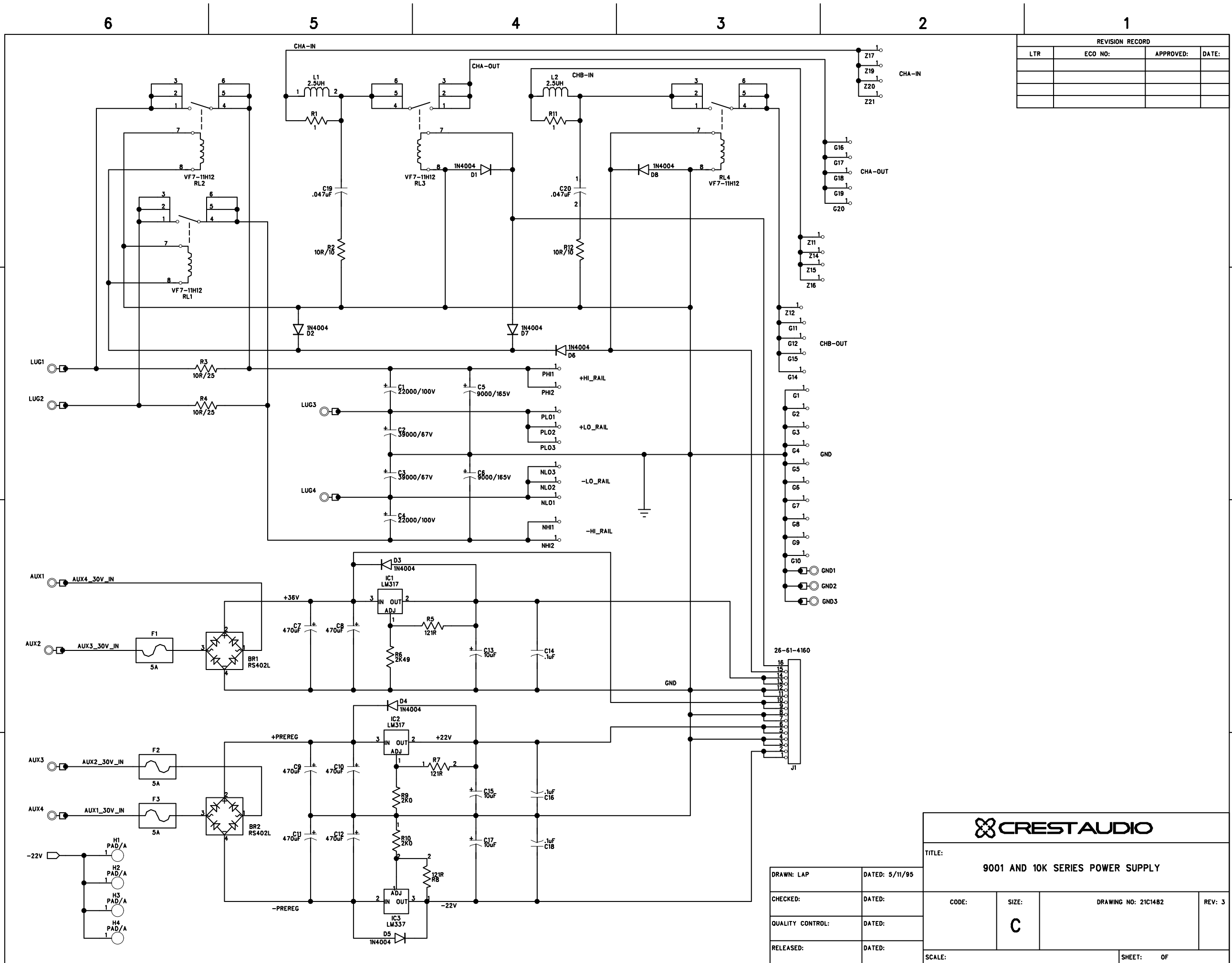


COMPANY: CREST AUDIO

TITLE: 9K1 SUB PCB

DRAWN: LAP	DATED: 2/96
CHECKED:	DATED:
QUALITY CONTROL:	DATED:
RELEASED:	DATED:

CODE:	SIZE: B	DRAWING NO:	REV: 00
SCALE:			SHEET: 1 OF 2

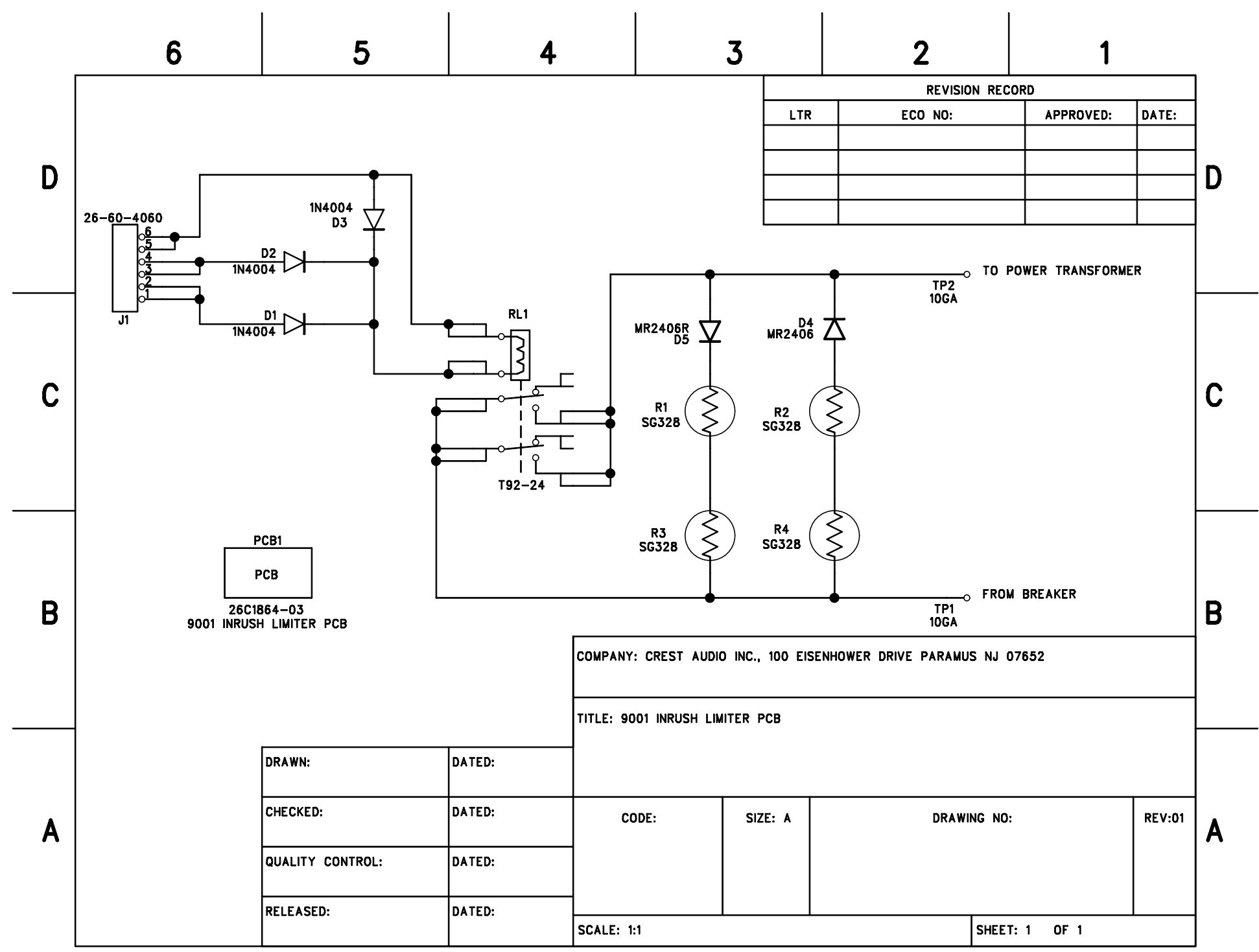


REVISION RECORD			
LTR	ECO NO:	APPROVED:	DATE:

**CREST AUDIO**

TITLE: **9001 AND 10K SERIES POWER SUPPLY**

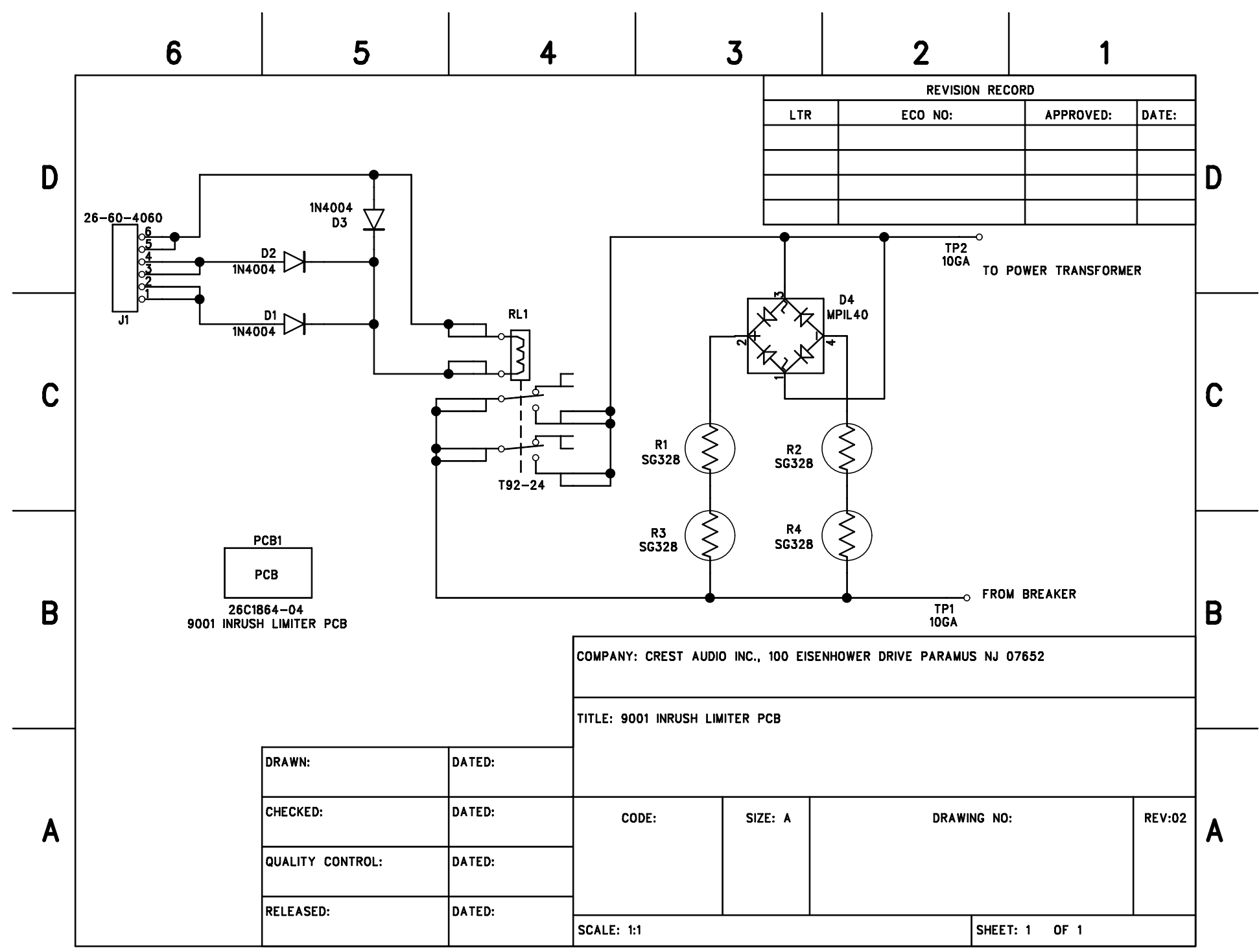
DRAWN: LAP	DATED: 5/11/95	CODE:	SIZE: <b>C</b>
CHECKED:	DATED:	DRAWING NO: 21C1482	
QUALITY CONTROL:	DATED:	REV: 3	
RELEASED:	DATED:	SCALE:	SHEET: OF



REVISION RECORD			
LTR	ECO NO:	APPROVED:	DATE:

PCB1  
PCB  
26C1864-03  
9001 INRUSH LIMITER PCB

COMPANY: CREST AUDIO INC., 100 EISENHOWER DRIVE PARAMUS NJ 07652			
TITLE: 9001 INRUSH LIMITER PCB			
DRAWN:	DATED:	CODE:	REV:01
CHECKED:	DATED:	SIZE: A	DRAWING NO:
QUALITY CONTROL:	DATED:		
RELEASED:	DATED:	SHEET: 1 OF 1	
SCALE: 1:1			



REVISION RECORD			
LTR	ECO NO:	APPROVED:	DATE:

COMPANY: CREST AUDIO INC., 100 EISENHOWER DRIVE PARAMUS NJ 07652

TITLE: 9001 INRUSH LIMITER PCB

DRAWN:	DATED:
CHECKED:	DATED:
QUALITY CONTROL:	DATED:
RELEASED:	DATED:

CODE:	SIZE: A	DRAWING NO:	REV:02
SCALE: 1:1		SHEET: 1 OF 1	



6

5

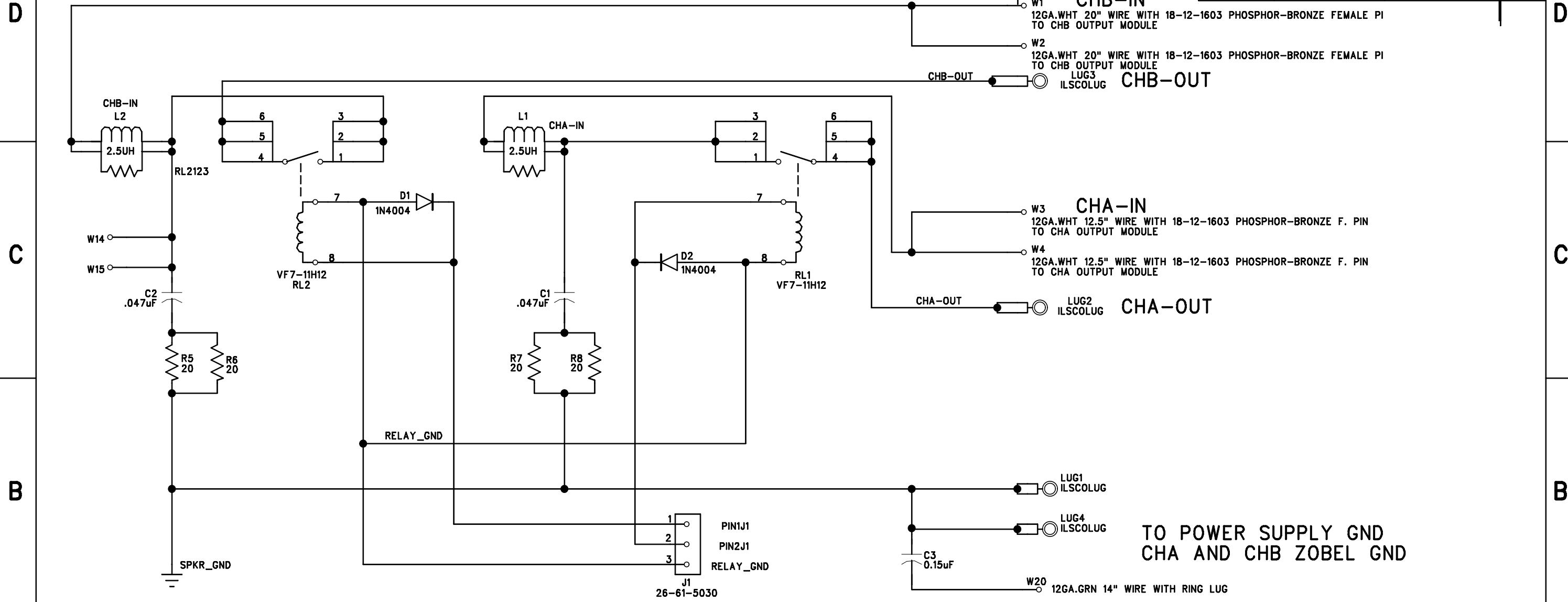
4

3

2

1

REVISION RECORD			
LTR	ECO NO:	APPROVED:	DATE:



CON1  
CONNECTOR  
03-12-2022

CON2  
CONNECTOR  
03-12-2022

COMPANY:

TITLE:  
**9001 ZOBEL**

DRAWN:	DATED:
CHECKED:	DATED:
QUALITY CONTROL:	DATED:
RELEASED:	DATED:

CODE:	SIZE:	DRAWING NO:	REV:
SCALE:		SHEET: OF	

D

C

B

A

D

C

B

A

6                      5                      4                      3                      2                      1

REVISION RECORD			
LTR	ECO NO:	APPROVED:	DATE:

D

D

C

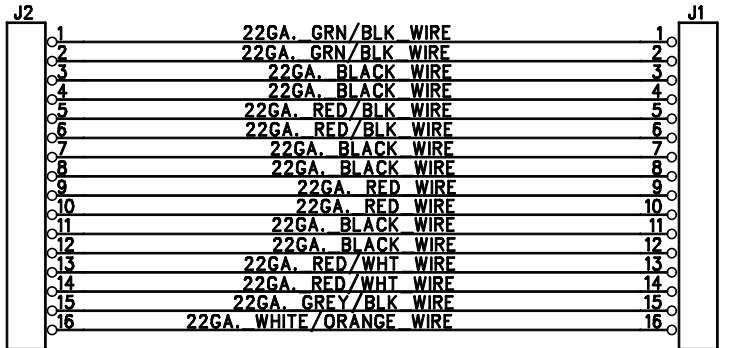
C

B

B

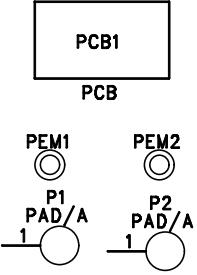
A

A



26-61-4160

26-61-4160



COMPANY: CREST AUDIO

TITLE: 9K1 HARNESS ADAPTER PCB

DRAWN: LAP	DATED: 3/26/96
CHECKED:	DATED:
QUALITY CONTROL:	DATED:
RELEASED:	DATED:

CODE:	SIZE: A	DRAWING NO:	REV: 00
-------	---------	-------------	---------

SCALE: SHEET: 1 OF 1